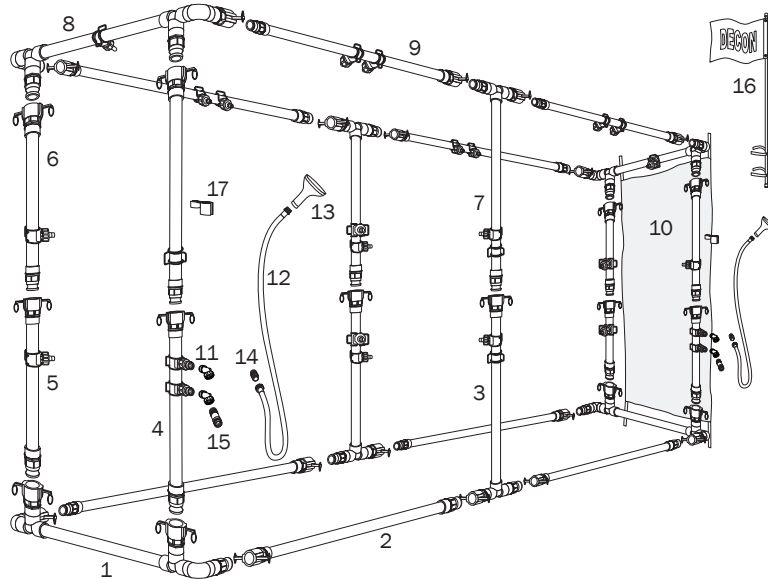


MasCas® II Decontamination Shower HM4200



Parts List

Replacement parts are available, contact DQE to order.

PART NAME	QTY	PART NUMBER
1. Bottom U-Base (blue tape)	2	HMPT42001
2. Bottom Extender (blue tape)	4	HMPT42002
3. Bottom T-Post (blue tape)	2	HMPT42003
4. Water Inlet Upright (blue tape)	2	HMPT42004
5. Bottom Spray Upright (blue tape)	2	HMPT42005
6. Top Spray Upright (red tape)	4	HMPT42006
7. Top T-Post (red tape)	2	HMPT42007
8. Top U-Base (red tape)	2	HMPT42008
9. Top Extender (red tape)	4	HMPT42009
10. MasCas II Vinyl Divider	5	HMPTDIVIDER
11. Hose Shutoff (brass)	4	N115C
12. Sprayer Hose	2	HOSEBLUE
13. Fan Spray Nozzle	2	HM214
14. Male/Male Adapter (brass)	2	CT1032
15. Water Pressure Regulator	2	HM212
16. Decon Flag with Pole	1	HMPT42010
17. Hand-Held Hose Hanger	2	HMPT10017
18. Stakes (not shown)	2	HMPTSTAKE
19. Straps (not shown)	2	HMPTSTRAP
20. Vinyl Carry Bag - Blue Handle (not shown)	1	BAGMB
21. Vinyl Carry Bag - Red Handle (not shown)	1	BAGMR

Shower Assembly: 4-Stall Configuration

NOTE: All bottom pieces are marked in blue, all top pieces are marked in red "Red Roof, Blue Base"

- A. Open Blue Handled bag and remove all parts.
- B. Identify and separate the two U-bases (#1) and four Extender pieces (#2). Place on floor and space U-Bases approximately 10 feet apart as shown in illustration. Connect Extenders to U-bases.
- C. Locate two T-Posts (#3) and join to Extenders so that T-Posts are vertical and spray heads are pointed into shower.
- D. Locate two Water Inlet Uprights (#4) and insert into one of the U-base corners at opposite ends, but same side, of the shower unit. Point brass valves toward the exterior of the shower unit.
- E. Locate two Spray Uprights (#5) and insert into remaining U-Base corners. Point spray heads toward interior of shower unit.
- F. Open Red Handled bag and remove all parts.
- G. Locate four Spray Uprights (#6) and connect to the Bottom Uprights that have already been assembled to shower base. Point spray heads toward the interior of the shower.
- H. Locate two T-Posts (#7) and connect to the Bottom T-Posts that have already been assembled to shower base. Ensure that spray heads are pointed into the shower.
- I. Connect two U-Bases (#8) to Uprights.
- J. Connect Top Extenders (#9) to complete shower assembly. Ensure that spray heads are pointed into the Shower.
- K. Conduct a quick check to ensure that all Quick Connect fittings are fully locked.
- L. Locate vinyl Divider Screens (#10) and unroll.
- M. For Divider Screens at each end of unit wrap Velcro straps around top shower frame at corners. Wrap bottom Velcro straps in the same way as top. Note: Do not run Velcro straps through metal quick connect loops.
- N. Place center Divider Screen at the T-Posts. Wrap and secure Velcro straps so that Screen edges are against T-Posts and positioned between Shower Heads.
- O. For remaining two Screens, wrap Velcro straps around Shower frame and position between Extender shower heads.
- P. Attach a blue handheld Sprayer Hose (#12) to top brass Hose Shutoff (#11) on each Valve Upright at ends of shower. A male/male brass Adapter (#14) is required.
- Q. Attach a Fan Spray Nozzle (#13) to each Sprayer Hose.
- R. Attach Hand-Held Hose Hangers (#17) and Decon Flag (#16) to shower frame.
- S. OPTIONAL: Attach Pressure Regulator (#15) to bottom brass shutoff valves. Pressure Regulators are recommended for high or unstable water pressure sources.
- T. Attach water supply hoses to bottom Hose Shutoff valves.
- U. Shower is now ready to operate.
- V. Adjust position and angle of shower nozzles for spray pattern as desired.

MasCas® II Decontamination Shower HM4200 Optional 2-Stall Configuration Assembly

- A. Familiarize personnel with 4-stall configuration assembly.
- B. Begin by connecting two Bottom U-Bases (#1) to only two Bottom Extenders (#2).
- C. Insert two Water Inlet Uprights (#4) and two Bottom Spray Uprights (#5) in corners of U-Bases. Aim brass water valves to exterior and spray heads to inside of shower.
- D. Connect four Top Spray Uprights (#6) to the Bottom Uprights that have already been assembled to shower base. Point spray heads toward the interior of the shower.
- E. Continue with steps I – V in 4-stall assembly instructions.

Shower Operation

- A. For the 4-stall configuration, attach a water supply hose with standard garden hose fitting (not included) to lower Brass Hose Shutoffs on each Water Inlet Upright. For the 2-stall configuration, only one water supply is required; simply keep the unused brass Hose Shutoffs closed when not in use.
- B. Turn water supply on. Lower Brass Hose Shutoffs should be in the “open” position and the upper Brass Hose Shutoffs for Handheld Sprayers should be in the “closed” position. It takes approximately 1 minute to achieve full spray pattern
- C. Check aim of shower heads and use shower according to your standard operating procedures.
- D. After use, the shower should be fully decontaminated using your standard operating procedures and in full compliance with state and federal regulations
- E. The shower should be inspected for damage or missing parts and should be completely dry before storage.
- F. Store in vinyl carry bags in moderate environmental conditions out of direct sunlight or exposure to ozone.

Effective Spray Pattern

- A. The most effective spray pattern creates a virtual wall of water by overlapping the fan-shaped spray and keeping the spray in a vertical plane with the upright portion of the shower.
- B. All shower heads should be aimed so that the centers of the fans are at approximately the center point of the average user’s body as they stand in each shower stall.
- C. The optimum spray pattern for the 4-stall configuration is attained when at least 15 gpm (30-50 psi) of water is supplied to each water inlet. Only one water supply is required for the 2-stall configuration; simply keep the unused brass Hose Shutoffs closed when not in use.

Shower Inspection and Maintenance

- A. As with all emergency equipment, you should develop an inspection program that assures its suitability for use in an incident.
- B. Program should include deploying, visually inspecting, and operating the shower at least every 3 months. All problems should be immediately corrected.
- C. Maintenance on this shower is minimal. The inspection program should reveal any problems with quick connects or hose connections. These may include worn or missing O-Rings, broken cam locks or leaking joints.
- D. Due to the nature of the materials used in this shower, cracked pipes are very unlikely.
- E. Occasional coatings of silicone-based lubricant on the quick connect surfaces and cam locks will ensure they function smoothly.
- F. Clogged spray tips can be removed by turning off the gray sprayer collars and blowing out the debris.

High Winds

- A. When the MasCas II Shower is being used outdoors in windy weather, it is best to operate the shower for a short time to fill the lower section with water. The weight of the water helps secure the shower to the ground.
- B. When wind speeds exceed 20 mph, it may be necessary to use the enclosed Straps and Stakes as a secondary means to secure the shower to the ground.

Instructions for Strap Use:

- C. Set shower up so that the pathway through the shower is perpendicular to the wind.
- D. Wrap straps around Top U-Bases at each end of shower and feed one end of strap through the loop at the other end. Cinch it tight.
- E. Extend straps out and secure the other end to the ground using the enclosed stakes or other method.