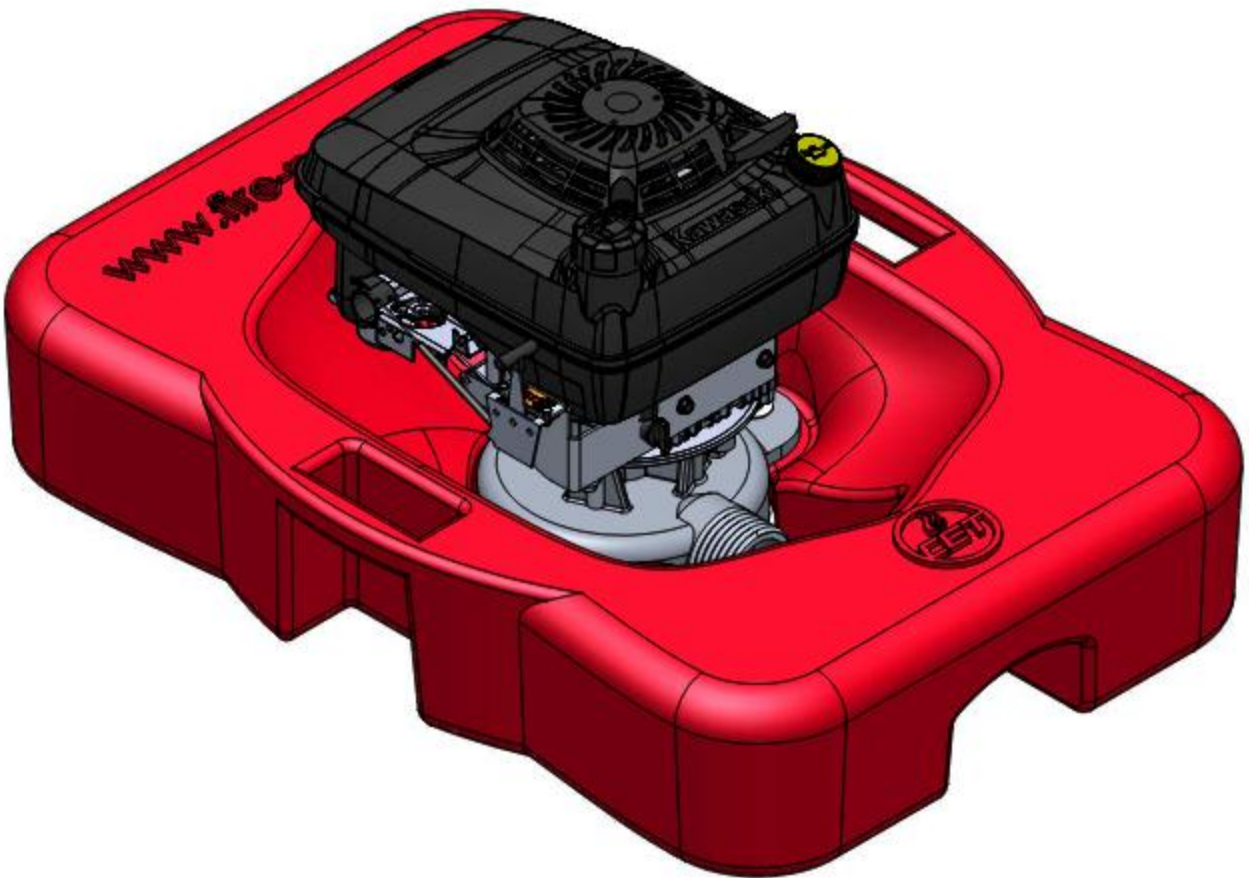
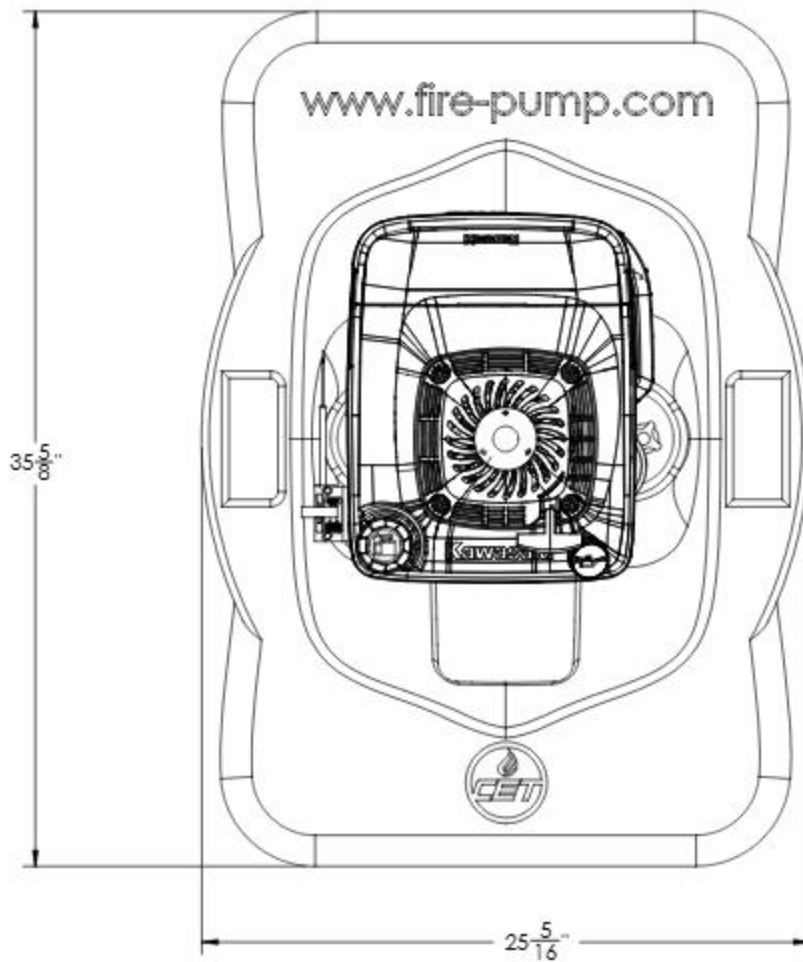
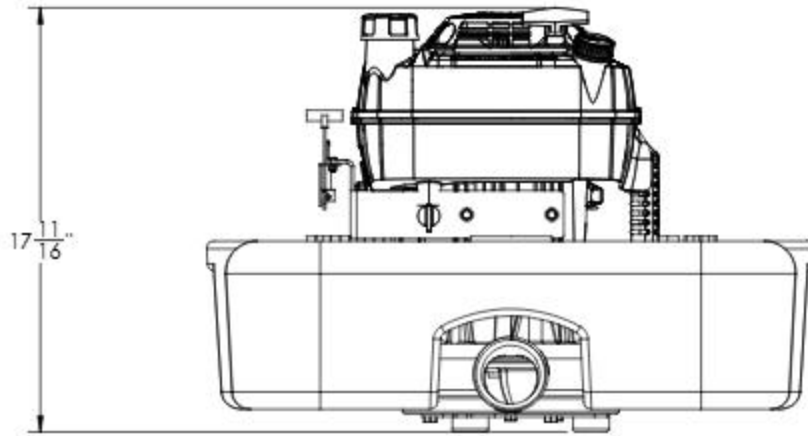



FLOATING PORTABLE PUMP
PFP-6HP-FL
FJ180V KAWASAKI WITH FLOATING PUMP



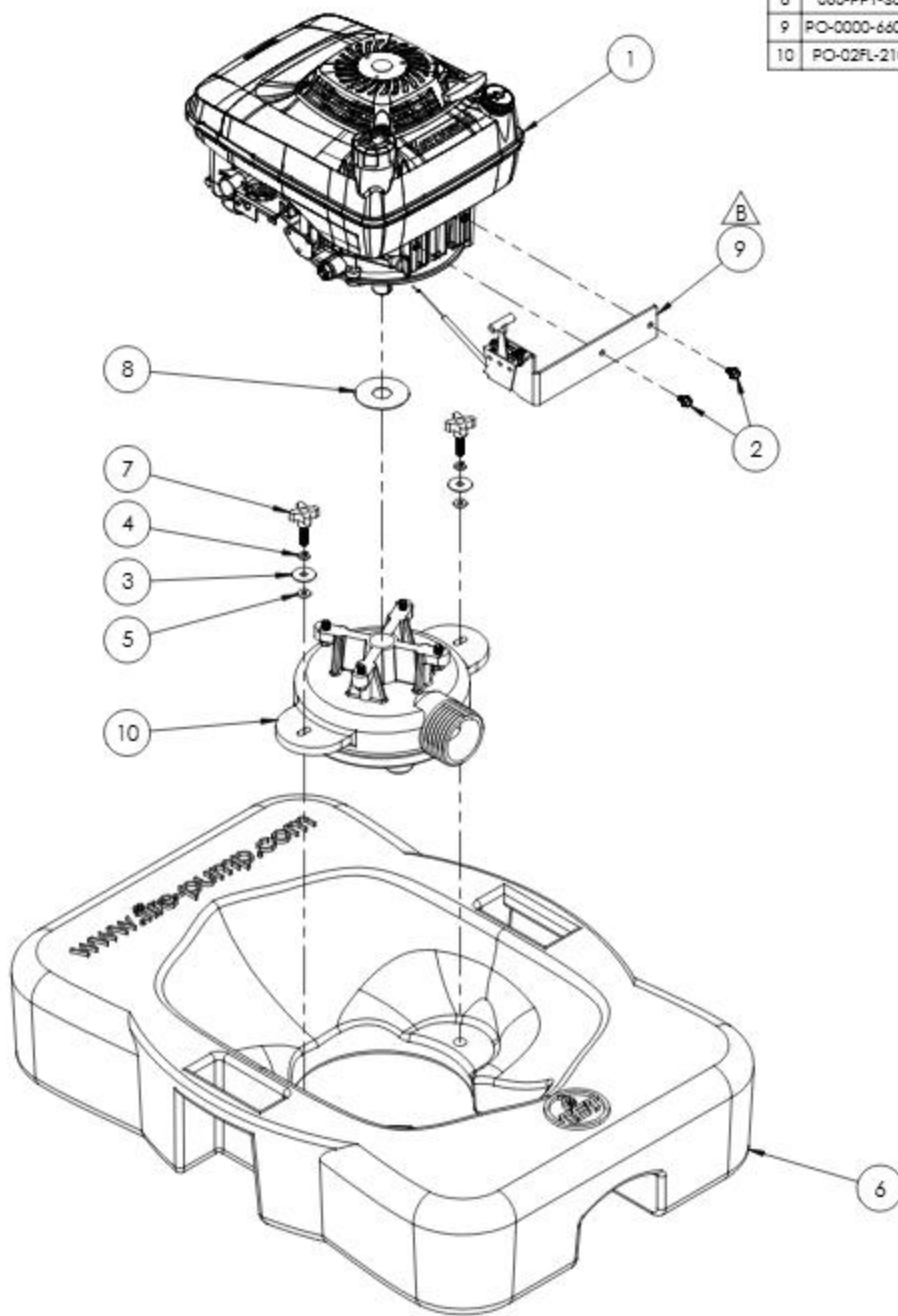


WET WEIGHT: 65LBS.

B	NEW THROTTLE	29-03-19	M.P.
A	VERSION A	23-01-19	M.P.
REV.	DESCRIPTION	DATE	BY

	CREATED BY: T.W. DATE: 25-07-17	TITLE : PFP-6hp-FL FLOATING PUMP	WARNING THIS DOCUMENT REMAINS THE PROPERTY OF C.E.T. FIRE PUMPS MFG. ALL REPRODUCTION WITHOUT WRITTEN AGREEMENT FROM C.E.T. FIRE PUMPS MFG IS TOTALLY PROHIBITED.
	VERIFIED BY: M.P. DATE: 29-08-17	No: PO-02FL-0701-B	

NO	PART NUMBER	DESCRIPTION	QTY
1	001-PP1-042	FJ180V KAWASAKI ENGINE 6hp	1
2	022-PP1-047	FLANGE HEAD CAP SCREW M6-1.0 x 12mm	2
3	024-PP1-405	FLAT WASHER 5/16" ID x 1-1/4" OD (SS)	2
4	024-PP1-415	SPLIT LOCK 5/16	2
5	025-PP1-108	RUBBER WASHER 5/16" INT x 11/16" EXT. x 3/32" TK	2
6	031-PP1-994	FLOAT	1
7	060-PP1-175	4 ARMS KNOB	2
8	060-PP1-305	WATER DEFLECTOR	1
9	PO-0000-6604A	THROTTLE BRACKET	1
10	PO-02FL-2101	PUMP END	1



B	NEW THROTTLE	29-03-19	M.P.
A	VERSION A	23-01-19	M.P.
REV.	DESCRIPTION	DATE	BY



CREATED
 BY: T.W.
 DATE: 25-07-17
VERIFIED
 BY: M.P.
 DATE: 29-08-17

TITLE :

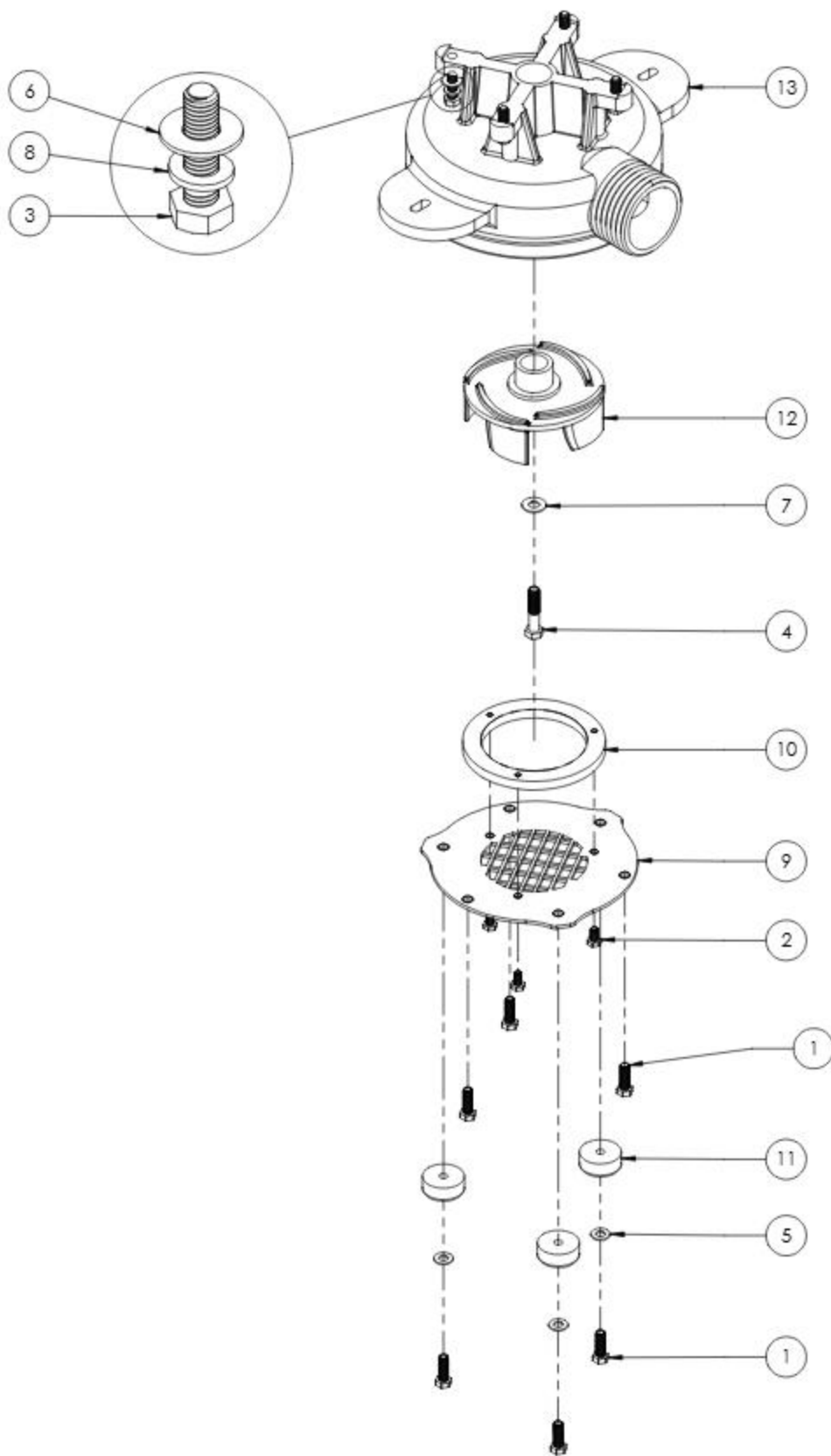
PFP-6hp-FL
 FLOATING PUMP

No:

PO-02FL-0701-B

WARNING

THIS DOCUMENT REMAINS THE PROPERTY
 OF C.E.T. FIRE PUMPS MFG.
 ALL REPRODUCTION WITHOUT WRITTEN
 AGREEMENT FROM C.E.T. FIRE PUMPS MFG
 IS TOTALLY PROHIBITED.



NO	PART NUMBER	DESCRIPTION	QTY
1	022-PP1-403	HEX. BOLT 5/16"-16 x 1" (SS)	6
2	022-PP1-432	HEX. BOLT 1/4"-20 x 1/2" (SS)	3
3	022-PP1-455	HEX. BOLT M8-1.25 x 30 (SS)	4
4	022-PP1-456	HEX BOLT 3/8-24 x 1 3/4" (SS)	1
5	024-PP1-004	FLAT WASHER 5/16" ID x 3/4" OD	3
6	024-PP1-400	FLAT WASHER 5/16" ID x 3/4" OD (SS)	4
7	024-PP1-401	FLAT WASHER 3/8" ID x 7/8" OD (SS)	1
8	024-PP1-415	SPLIT LOCK 5/16	4
9	057-PP1-268A	COVER	1
10	057-PP1-269	EXTENSION RING COVER	1
11	060-PP1-014	FLAT TOP RECESSED BUMPER	3
12	PO-0000-2411B	IMPELLER	1
13	PO-00FL-2201A	CASING	1

B	NEW THROTTLE	29-03-19	M.P.
A	VERSION A	23-01-19	M.P.
REV.	DESCRIPTION	DATE	BY

PUMP END

PO-02FL-2101



CREATED
BY: T.W.
DATE: 25-07-17
VERIFIED
BY: M.P.
DATE: 29-08-17

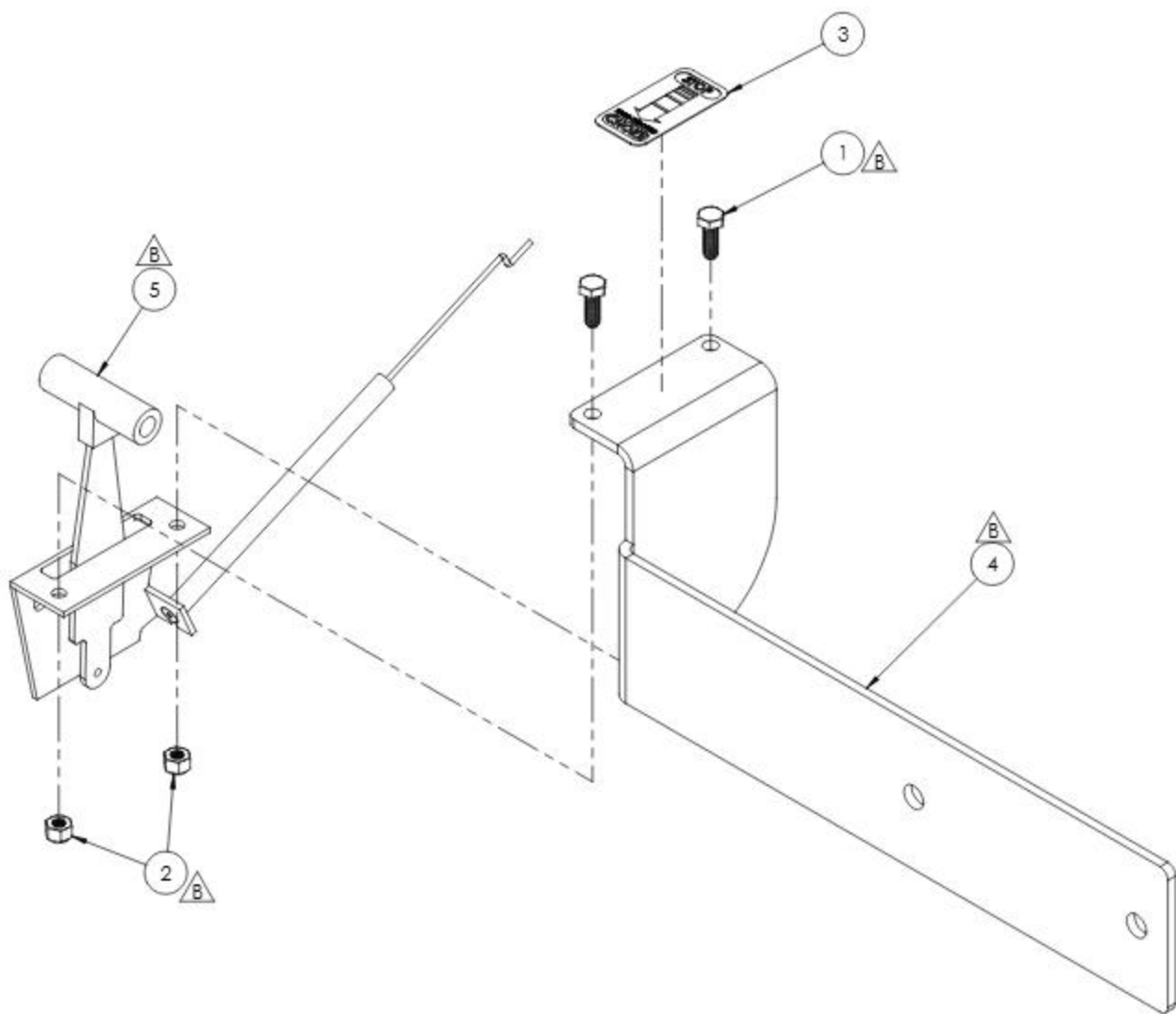
TITLE :

No:

WARNING

THIS DOCUMENT REMAINS THE PROPERTY OF C.E.T. FIRE PUMPS MFG. ALL REPRODUCTION WITHOUT WRITTEN AGREEMENT FROM C.E.T. FIRE PUMPS MFG IS TOTALLY PROHIBITED.

NO	PART NUMBER	DESCRIPTION	QTY
1	022-PP1-488	HEX BOLT M4-0.7mm x 12mm SS	2
2	023-PP1-428	NYLON NUT M4-0.7mm SS	2
3	055-PP1-038B	THROTTLE STICKER	1
4	057-PP1-270A	THROTTLE BRACKET	1
5	060-PP1-092A	THROTTLE CABLE LEVER	1



B	NEW THROTTLE	29-03-19	M.P.
A	VERSION A	23-01-19	M.P.
REV.	DESCRIPTION	DATE	BY



CREATED
 BY: M.P.
 DATE: 02-04-15
VERIFIED
 BY: M.P.
 DATE: 02-04-15

TITLE :

THROTTLE BRACKET

PFP-6hp-FL

No:

PO-0000-6604A

WARNING

THIS DOCUMENT REMAINS THE PROPERTY OF C.E.T. FIRE PUMPS MFG.

ALL REPRODUCTION WITHOUT WRITTEN AGREEMENT FROM C.E.T. FIRE PUMPS MFG IS TOTALLY PROHIBITED.